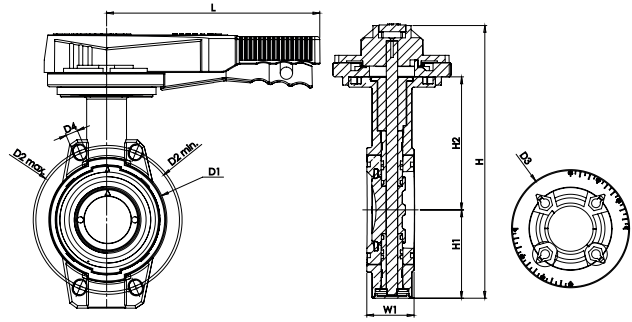


BELGE SAHİBİ KURULUŞUN ADI NAME OF THE LICENCE HOLDER	PİMTAŞ PLASTİK İNŞAAT MAZLEMELERİ SANAYİ VE TİCARET ANONİM ŞİRKETİ
BELGE SAHİBİ KURULUŞUN ADRESİ ADRESS OF THE LICENCE HOLDER	İNÖNÜ MAH.BALÇIK KÖYÜ YOLU ÜZERİ GEBZE PLASTİKÇİLER ORGANİZE SANAYİ BÖLGESİ İÇİ CUMHURİYET CAD. NO:52 41400 GEBZE KOCAELİ / TÜRKİYE
İLGİLİ TÜRK STANDARDI RELATED TURKISH STANDARD	TS EN ISO 16135 / ENDÜSTRİYEL VANALAR - TERMOPLASTİK MALZEMEDEN KÜRESEL VANALAR / 31.01.2012

ÜRÜN ADI / PRODUCT



U-PVC Kelebek Vana (Çıplak)
U-PVC Butterfly Valve (Without Flange)

Çap Dia	DN	D1 (mm)	D2 min. (mm)	D2 max. (mm)	D3 (mm)	D4 (mm)	L (mm)	H (mm)	H1 (mm)	H2 (mm)	W1 (mm)	nØe	ISO 5211 ISO 5211
63	50	104	120	125	115	19	207	256	82	126	45	4 x 19	F 07
75	65	115	140	145	115	19	207	265	86	129	46	4 x 19	F 07
90	80	131	150	160	115	19	207	272	89	132	48	8 x 19	F 07
110	100	160	175	190	115	19	207	311	103	156	56	8 x 19	F 07
125	110	190	210	216	115	23	258	338	116	169	63	8 x 23	F 07
140	125	190	210	216	115	23	258	338	116	169	63	8 x 23	F 07
160	150	214	241	241	115	24	258	364	129	182	66	8 x 24	F 07
200	175	268	290	295	115	24	335	414	158	203	75	8 x 24	F 07
225	200	268	290	295	115	24	335	414	158	203	75	8 x 24	F 07
250	250	333	353	362	156	24	410	507	198	242	114	8 x 24	F 10
280	250	333	353	362	156	24	410	507	198	242	114	8 x 24	F 10
315	300	379	400	432	156	24	410	580	228	285	113	8 x 25	F 10

Çap Dia	Inch	Basınç PN	kv-value l/min.	Q1 (mm)	Q2 (mm)	Kg /Adet Kg/Pcs	Koli/Ad. Box/Pcs	EPDM Conta Kod EPDM O-Ring Code	FPM Conta Kod FPM O-Ring Code
63	2"	10	1470	37		1,18	1	201 00 063 4	201 01 063 4
75	2 1/2"	10	2200	50	40	1,26	1	201 00 075 4	201 01 075 4
90	3"	10	3000	65	46	1,42	1	201 00 090 4	201 01 090 4
110	4"	10	6500	85	68	2,23	1	201 00 110 4	201 01 110 4
125	4 1/2"	10	11500	111	92	2,77	1	201 00 125 4	201 01 125 4
140	5"	10	11500	111	92	2,77	1	201 00 140 4	201 01 140 4
160	6"	10	16600	138	122	3,22	1	201 00 160 4	201 01 160 4
200	7"	10	39600	192	179	5,12	1	201 00 200 4	201 01 200 4
225	8"	10	39600	192	179	5,12	1	201 00 225 4	201 01 225 4
250	9"	10	55200	223	209	9,14	1	201 00 250 4	201 01 250 4
280	10"	10	55200	223	209	9,14	1	201 00 280 4	201 01 280 4
315	9"	10	80000	256	253	24,3	1	201 00 315 4	201 01 315 4

